

ELKAY® SPECIFICATIONS

Lustertone® Undermount Single Bowl Sink with Apron Model ELUHFS2816

GENERAL

Highest quality sink, with integral apron, seamlessly drawn of #18 (1.2mm) gauge, type 304 (18-8) nickel bearing stainless steel. Underside of sink is fully protected by heavy duty Sound Guard™ undercoating. Designed to accept waste disposer.

DESIGN FEATURES

Bowl Depth: 7-7/8" (200mm).

Finish: Exposed surfaces are hand blended to a lustrous high-lighted satin finish. ELUHFS models have highlighted inside top bowl radius.

Underside: Underside of sink is fully protected by heavy duty Sound Guard™ undercoating to prevent condensation and deaden sound.

OTHER

Drain Opening: 3-1/2" (89mm).

Note: For solid surface countertop installations only.

Installation: See illustrated profile below.

Countertop mounting clips are packed with every sink.

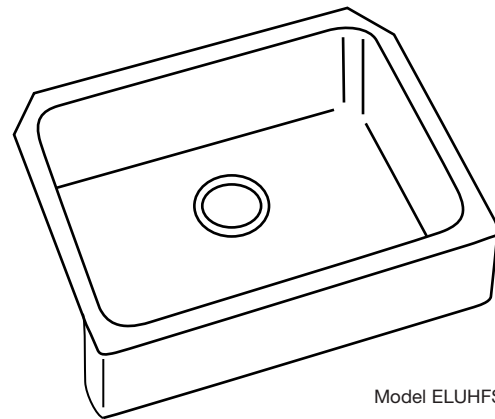
OPTIONAL ACCESSORIES

Rinsing Basket: LKERBSS.

SINK DIMENSIONS*

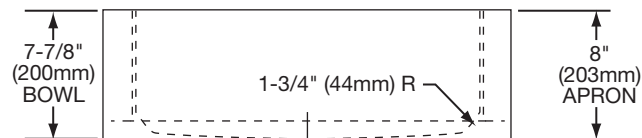
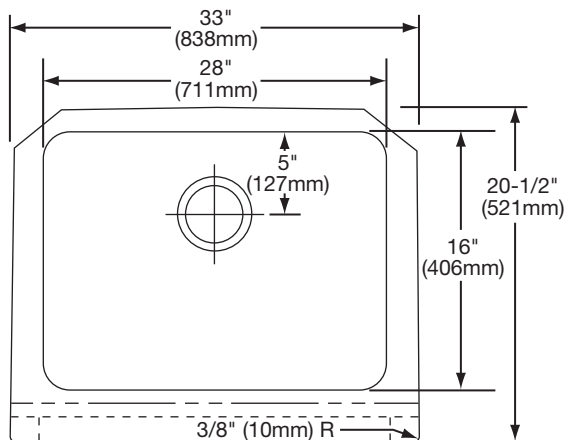
Model Number	Overall		Inside Bowl			Minimum Cabinet Size
	L	W	L	W	D	
ELUHFS2816	33 (838mm)	20 1/2 (521mm)	28 (711mm)	16 (406mm)	7 7/8 (200mm)	36 (914mm)

*Length is left to right. Width is front to back.



Model ELUHFS2816

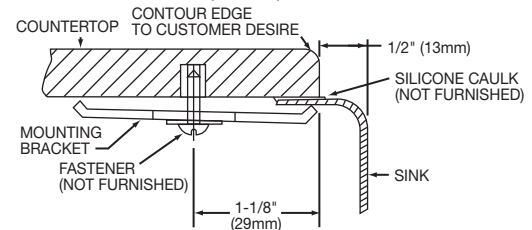
TOP VIEW



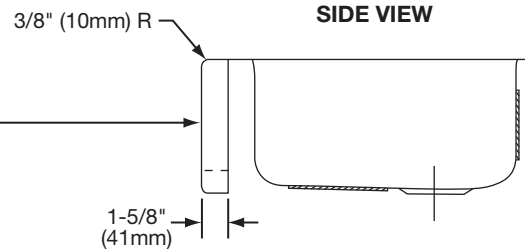
Model ELUHFS2816 Illustrated

Installation Profile of ELUHFS Single Bowl Model

ElKay recommends ELUHFS sinks are installed with a 1/2" (13mm) reveal as shown.



SIDE VIEW



In keeping with our policy of continuing product improvement, ElKay reserves the right to change product specifications without notice. Please visit elkayusa.com for most current version of ElKay product specification sheets.

This specification describes an ElKay product with design, quality and functional benefits to the user. When making a comparison of other producers' offerings, be certain these features are not overlooked.

ElKay

elkayusa.com

2222 Camden Court
Oak Brook, IL 60523

Printed in U.S.A.
©2008 ElKay

(Rev. 7/08) 1-161C