

SINGLE HANDLE 3/4" VOLUME CONTROL VALVE


Description

- High flow 3/4" ceramic disc volume control
- Volume control, and shut off valve
- Matching collection trim included
- 3/4" FIP inlets and outlets

Flow & Valving

- See Chart

Standards

- ASME A112.18.1
- CSA B125
- Listed IAPMO/UPC
- ADA Accessibility Guidelines for Buildings and Facilities - 4.27.4 Controls and Mechanisms 

Warranty

Danze products are covered by a manufacturer's limited "lifetime" warranty for manufacturing defects.



D560956
BANNOCKBURN™



Available Colors & Finish

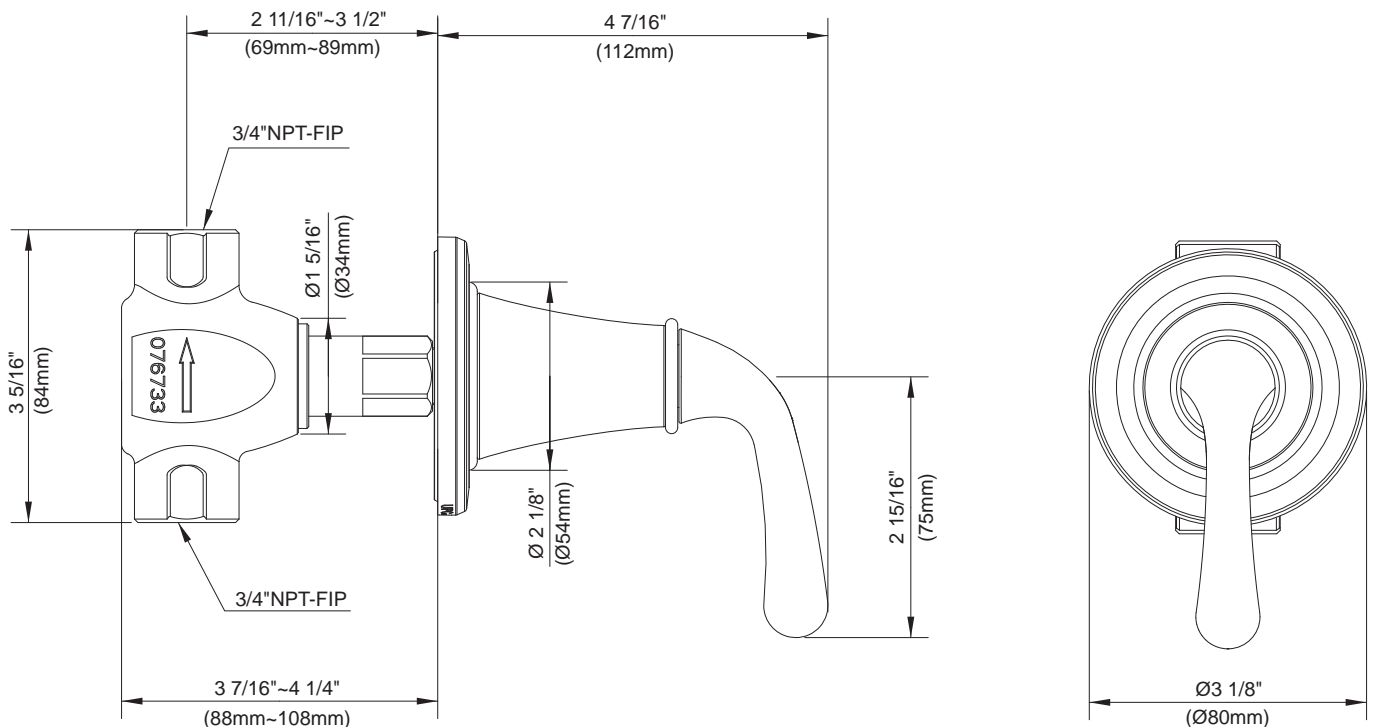
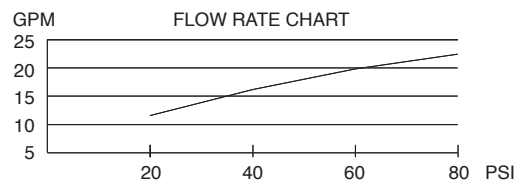
- Chrome
- Brushed Nickel (BN)
- Oil Rub Bronze (RB)

Trim Kit:

(for use w/ 1 handle 3/4" volume control valve)
D560956T

Special Packaging

- Model numbers for trim kit items include the suffix "T"



Specific Features: _____ Submitted Model No.: _____

SD560956/12-08.01