



PRODUCT SHEET

AMMA 7242

72 x 42 x 22

Redefined massage. Ideal comfort.



© BAINULTRA®

FEATURES	
Installation type	- Drop-in - Alcove (3 walls)
No. of bathers	2
Raised seats	2
Heated backrests (Independently controlled)	2
Heated headrests	2
Inverted V	2
Armrests	4
Grab bars (color match)	2
Control	MiaPlus
ThermoMasseur® bath	\$
Soaker bath	N/A

THERAPIES	
Chromatherapy 3-LED	\$
Sound Therapy (Euphonia™ System)	\$
COLORS	
Standards	
White	Bone
Biscuit	Almond
Optionals	
Black	Mexican sand
Innocent blush	Cashmere
Sandbar	Grey

WARRANTY	
Controls*	5 years
Bath & turbine*	20 years
*Some restrictions apply www.bainultra.com/warranty	



IMPORTANT: KEEP THE ORIGINAL. PLEASE MAKE COPIES.

AMMA®: AMMA 6030, AMMA 6032, AMMA 6036, AMMA 6636, AMMA OVAL 6638, AMMA 6060, AMMA 7048, AMMA 7236, **AMMA 7242**, AMMA OVAL 7242, AMMA OVAL 7242 FREESTANDING



The quest for your wellness™
www.bainultra.com

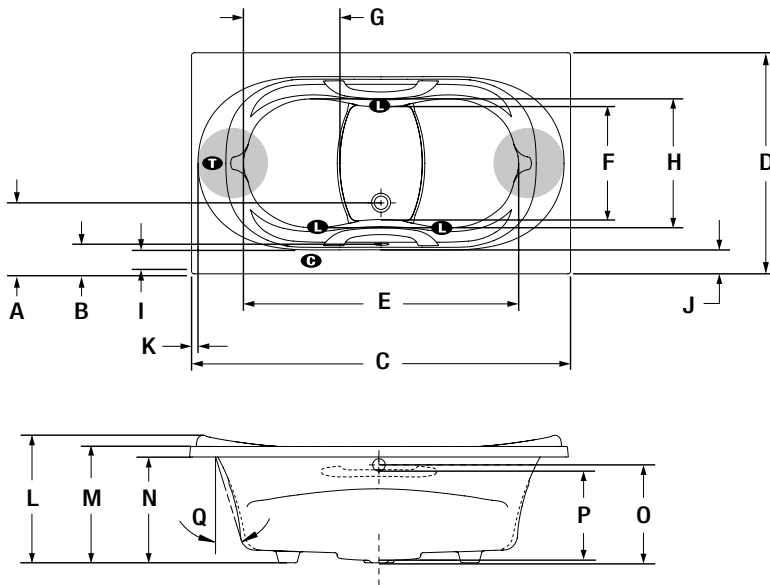
AMMA 7242 72 x 42 x 22

ACCESSORIES - OPTIONAL

Skirts	Littora \$	Elegance \$
Clear acrylic grab bars	With Chrome, Brass or Brushed nickel inserts \$	
Drain & overflow	D-11 (22" - 27")	
	- Chrome	\$
	- White, Biscuit, Bone	\$
	- Brass	\$
	- Brushed nickel, Polished nickel, Oil-rubbed bronze	\$

Control	MiaMulti	\$
Other	Optional tile flange. (specify front or back)	\$

TOTAL PRICE	\$
--------------------	----



LETTER	DESCRIPTION	MEASURE
A	Outside edge to center drain	13 1/2"
B	Outside edge to overflow	5 3/8"
C	Total length	72 1/4"
D	Total width	42"
E	Bathing well length	52 1/4"
F	Bathing well width at foot area	21 3/8"
G	Raised seat length	18 5/8"
H	Raised seat width	24"
I	Deck width (narrowest point)	4"
J	Deck width (widest point)	5 1/4"
K	Deck width at backrest end end	1 1/4"
L	Total height to headrest	24 1/4"
M	Height from bottom of tub to top deck	22 1/8"
N	Height from bottom of tub to bottom of lip	20 1/8"
O	Height from drain to center of overflow	18 1/8"
P	Maximum water level	16 3/8"
Q	Slope of backrest	18°

- T** Indicates turbine position
- L** Indicates LED light position
- Indicates heated backrest
- C** Indicates control position when factory-installed

AMMA 7242 TECHNICAL SPECIFICATIONS

Jets	58	Hot water supply required	Should be 70% of water capacity of tub or greater.	
US gallons	65		Turbine access	Must be at least 18" X 22" to access the pump. Must be connected to a 20 A, 120 V, 60 Hz, protected by a ground-fault circuit interrupter (GFCI) on a dedicated line.
Imp. gallons	54			Standards
Approx. shipping weight	195 lbs	Our products must be installed by certified professionals only and according to our Owner's Manual as well as federal, provincial/state and local building codes and regulations (www.bainultra.com/documentation).		
Turbine power	755 W			
Air heater	1000 W			

1 800 463.2187 | From 8 a.m. to 8 p.m. Monday to Thursday (EST) . From 8 a.m. to 5 p.m. on Friday (EST)

The specifications shown indicate the outer edge dimension and the inside bathing capacity dimension measured at air jets' height. The manufacturer accepts a 1/4" [0.64 cm] variance. There are variations on each product and specifications are subject to change as we improve upon our product as required. The dimensions needed for site preparation and structure building will differ. BainUltra® assumes no responsibility for preparatory work done prior to the product being on site.