



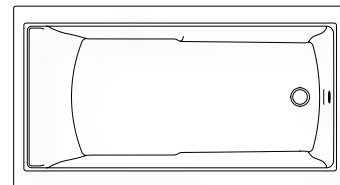
# PRODUCT SHEET

# TEKURA 6636

66 x 36 x 21

Thoughtful design. Inspired care.

**C-20** Contour  
Drop-in / Alcove (3 walls)



© BAINULTRA®

Cabreuva wood



© BAINULTRA®

Acrystal™

FEATURES	
Installation type	- Drop-in - Alcove (3 walls)
No. of bathers	1
Heated backrest	1
MyBodyRest™ complete set in Cabreuva wood or Acrystal™	Includes Headrests, Armrests & Legrests
Control	MiaPlus
ThermoMasseur® bath	\$
Soaker bath	\$

THERAPIES	
Chromatherapy 2-LED	\$
Sound Therapy (Euphonia™ System)	\$

COLORS	
<b>Standards</b>	
White	Bone
Biscuit	Almond
<b>Optionals</b>	
Black	Mexican sand
Innocent blush	Cashmere
Sandbar	Grey

WARRANTY	
Controls*	5 years
Bath & turbine*	20 years

\*Some restrictions apply | [www.bainultra.com/warranty](http://www.bainultra.com/warranty)



**IMPORTANT: KEEP THE ORIGINAL. PLEASE MAKE COPIES.**

TEKURA™: TEKURA 6636: C-20 / C-21 / C-22 / C-23 A & B / C-24, TEKURA 7242: C-20 / C-21 / C-22 / C-23 A & B / C-24



The quest for your wellness™  
[www.bainultra.com](http://www.bainultra.com)

# TEKURA 6636 66 x 36 x 21

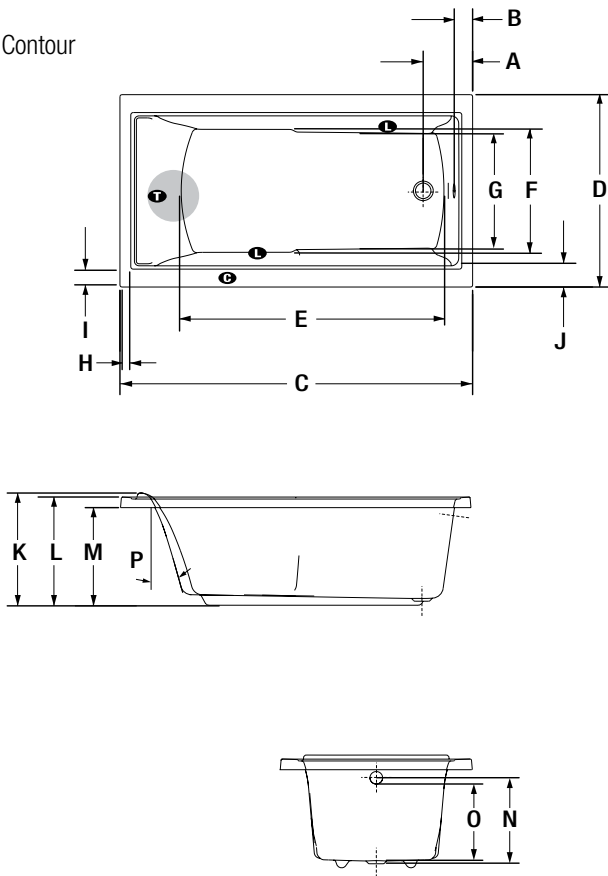
## ACCESSORIES - OPTIONAL

<b>Skirts</b>	Littora \$ SJ-1 \$	Elegance \$
<b>Drain &amp; overflow</b>	D-10 (17" - 22") - Chrome - White, Biscuit, Bone - Brass - Brushed nickel, Polished nickel, Oil-rubbed bronze	\$ \$ \$ \$

<b>Control</b>	MiaMulti	\$
<b>Other</b>	Optional tile flange. (specify right or left)	\$

<b>TOTAL PRICE</b>		\$
--------------------	--	----

### C-20 Contour



LETTER	DESCRIPTION	MEASURE
<b>A</b>	Outside edge to center drain	9 1/4"
<b>B</b>	Outside edge to overflow	3 1/2"
<b>C</b>	Total length	66"
<b>D</b>	Total width	36"
<b>E</b>	Bathing well length	49 5/8"
<b>F</b>	Bathing well width at sitting area	23 1/4"
<b>G</b>	Bathing well width at foot area	22 1/4"
<b>H</b>	Flat surface width	1 3/8"
<b>I</b>	Flat surface width	2 3/4"
<b>J</b>	Deck width	4 1/2"
<b>K</b>	Total height to headrest	21 1/4"
<b>L</b>	Height from bottom of tub to top deck	20 1/2"
<b>M</b>	Height from bottom of tub to bottom of lip	18 1/2"
<b>N</b>	Height from drain to center of overflow	16"
<b>O</b>	Maximum water level	14 1/4"
<b>P</b>	Slope of backrest	16°

T Indicates turbine position  
● Indicates heated backrest  
L Indicates LED light position  
C Indicates control position when factory-installed

## TEKURA 6636 TECHNICAL SPECIFICATIONS

<b>Jets</b>	41	<b>Hot water supply required</b> Should be 70% of water capacity of tub or greater.
<b>US gallons</b>	68	
<b>Imp. gallons</b>	56	
<b>Turbine power</b>	755 W	<b>Turbine access</b> Must be at least 18" X 22" to access the pump. Must be connected to a 15 A, 120 V, 60 Hz, protected by a ground-fault circuit interrupter (GFCI) on a dedicated line.
<b>Air heater</b>	700 W	
		<b>Standards</b> All BainUltra products meet and/or exceed the highest quality and certification standards. For further details about BainUltra's product standards, please go to the following link: <a href="http://www.bainultra.com/standards">www.bainultra.com/standards</a> .
Our products must be installed by certified professionals only and according to our Owner's Manual as well as federal, provincial/state and local building codes and regulations ( <a href="http://www.bainultra.com/documentation">www.bainultra.com/documentation</a> ).		

1 800 463.2187 | From 8 a.m. to 8 p.m. Monday to Thursday (EST) . From 8 a.m. to 5 p.m. on Friday (EST)

The specifications shown indicate the outer edge dimension and the inside bathing capacity dimension measured at air jets' height. The manufacturer accepts a 1/4" [0.64 cm] variance. There are variations on each product and specifications are subject to change as we improve upon our product as required. The dimensions needed for site preparation and structure building will differ. BainUltra® assumes no responsibility for preparatory work done prior to the product being on site.