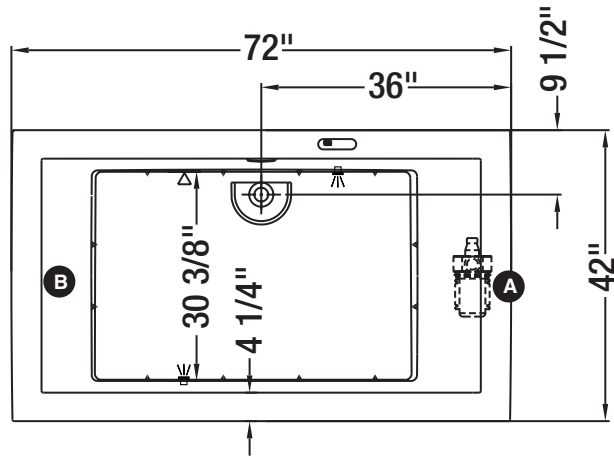
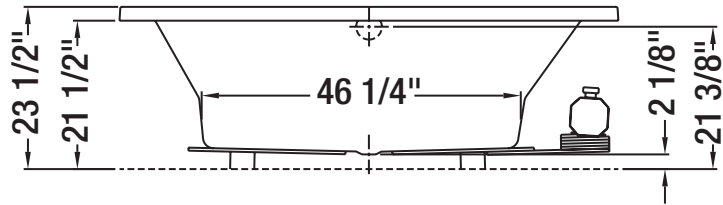
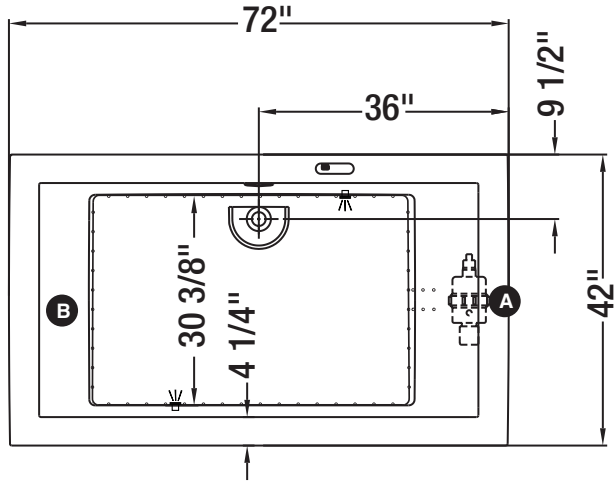


HYDROMAX OR
HYDROEFFECT
WHIRLPOOL SYSTEM



AEROFEEL
OR AEROEFFECT
AIR SYSTEM



(A) : Specify blower and/or pump position when ordering

(▲) : Indicates Hydromax and Hydroeffect whirlpool jets positioning

(●) : Indicates Aerofeel and Aeroeffect airjets positioning

(△) : Indicates suction positioning

(☼) : Indicates chromatherapy light positioning

Note: Air backjets on same side as blower

All dimensions are approximate and subject to change without prior notice.
Please refer to installation guide before installing unit.

Bathtub base includes anti-vibration Neutra-Phone™ leg supports (not shown).