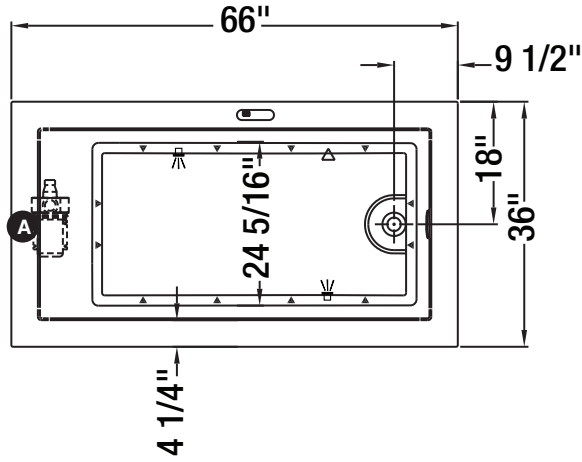
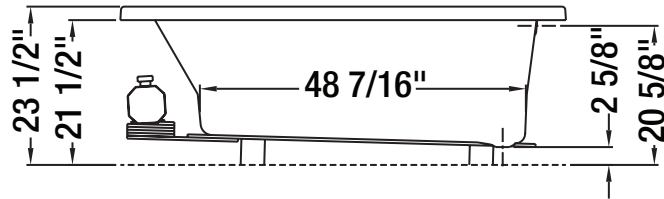
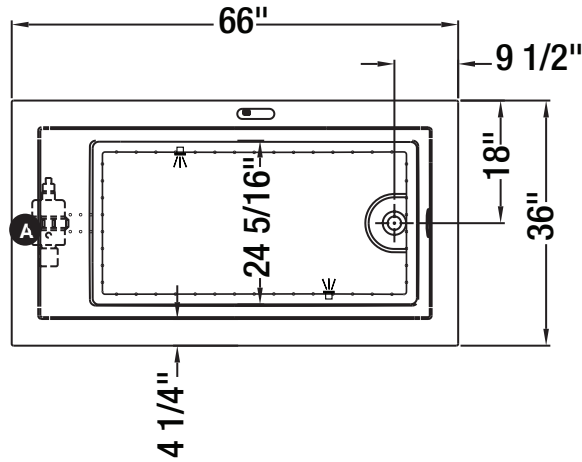


HYDROMAX OR
HYDROEFFECT
WHIRLPOOL SYSTEM



AEROFEEEL
OR AEROEFFECT
AIR SYSTEM



- (**A**) : Indicates pump positioning
- (**▲**) : Indicates Hydromax and Hydroeffect whirlpool jets positioning
- (**●**) : Indicates Aerofeel and Aeroeffect airjets positioning
- (**△**) : Indicates suction positioning
- (**▽**) : Indicates chromatherapy light positioning

Note: Air backjets on same side as blower

All dimensions are approximate and subject to change without prior notice.
Please refer to installation guide before installing unit.

Bathtub base includes anti-vibration Neutra-Phone™ leg supports (not shown).